

ANGLE SEAT VALVE

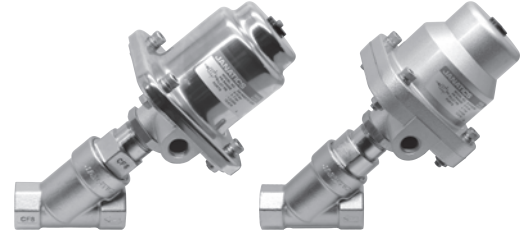
Series DY2

Cat No DY2 - 01 - 01 - B

ANGLE SEAT VALVE - G1/2, G3/4

Features

- ❑ Low pressure loss due to Angle seat structure
- ❑ Pilot air port position rotatable by 360°
- ❑ High flow
- ❑ Body material different versions - Brass, SS304 and SS316
- ❑ Visual indicator for actuating position



Function

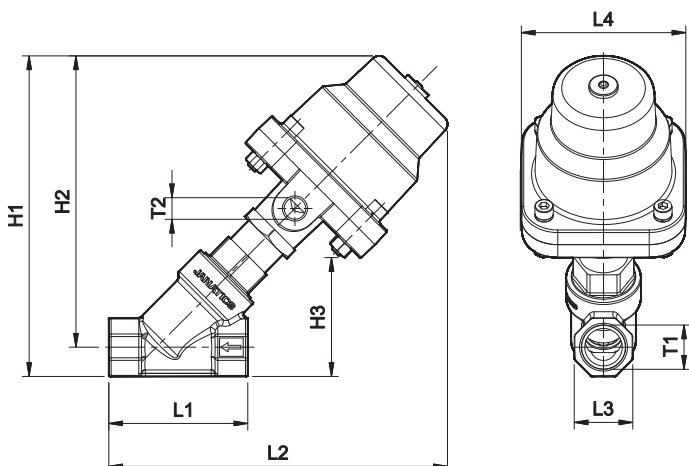
The Angle seat valve is a 2/2-way pneumatically actuated ON / OFF valve.

Technical Specifications

Model	DY2	
Type	2/2 Normally Closed	
Design	Poppet type	
Port size	Inlet, Outlet - G1/2, External pilot - G1/4	Inlet, Outlet - G3/4, External pilot - G1/4
Medium	Air, Water, Hot Water, Steam, Inert Gases (For any other Medium contact Head office)	
Orifice (NW)	16	
Working Pressure range	0 to 10 bar	0 to 16 bar
External pilot pressure	3 to 7 bar	
Recommended oil for lubrication	ISO VG32 (Servo system 32)	
Ambient temperature	-10° to 80°C	
Medium temperature	Refer page no. - 2.25.3	
Flow @ (lpm)	8000 lts/min	
Materials of construction	Housing	Brass, SS304, SS316
	Seals	NBR, FKM, EPDM, Silicone, PTFE
	Other parts	Brass, Aluminium, SS304, PA6, PA66, Spring steel

@ - Inlet pressure 6 bar, and pressure drop 1 bar

2 / 2 NC Angle Seat Valve (Aluminium Cover)



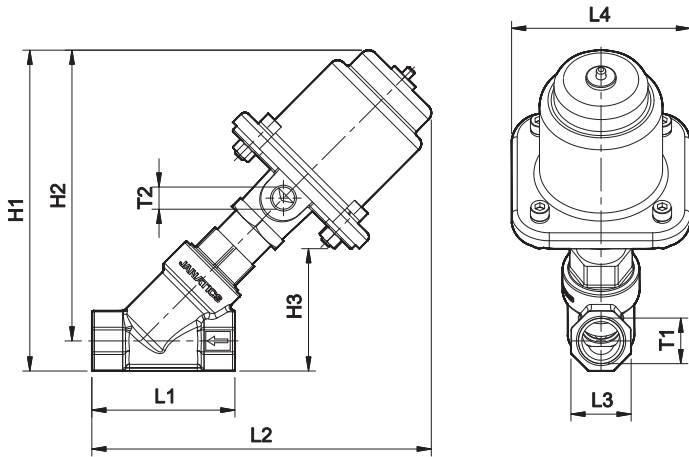
T1	T2	L1	L2	L3	L4	H1	H2	H3
G1/2	G1/4	76	185	32 OCT	90	175	160	65
G3/4								

ANGLE SEAT VALVE

Series DY2

Cat No DY2 - 01 - 01 - B

2 / 2 NC Angle Seat Valve (Sheet Metal Cover)



T1	T2	L1	L2	L3	L4	H1	H2	H3
G1/2	G1/4	76	185	32 OCT	95	175	160	65
G3/4								

Application: Food Industries

How to order

DY2	3	4	2	3	2	63
	Seals		Function		Operating pressure	
	3 - PTFE + NBR (Food grade) 4 - PTFE + FKM (Food grade) 6 - PTFE + EPDM (Food grade)		2 - 2/2 NC		2 - 0 to 10 bar 3 - 0 to 16 bar	
		Body Material		NW		Port size
		O. No Housing Connector Top cover		3 - 16 NW		63 G1/2 64 G3/4
		4 SS316 SS316 SS304 5 SS316 SS316 Al				

Application (Up to 60°C): Water, Air

How to order

DY2	1	1	2	3	2	63
	Seals		Function		Operating pressure	
	1 - PTFE + NBR		2 - 2/2 NC		2 - 0 to 10 bar 3 - 0 to 16 bar	
		Body Material		NW		Port size
		O. No Housing Connector Top cover		3 - 16 NW		63 G1/2 64 G3/4
		1 SS304 SS304 SS304 2 SS304 SS304 Al 8 Brass Brass SS304 9 Brass Brass Al				

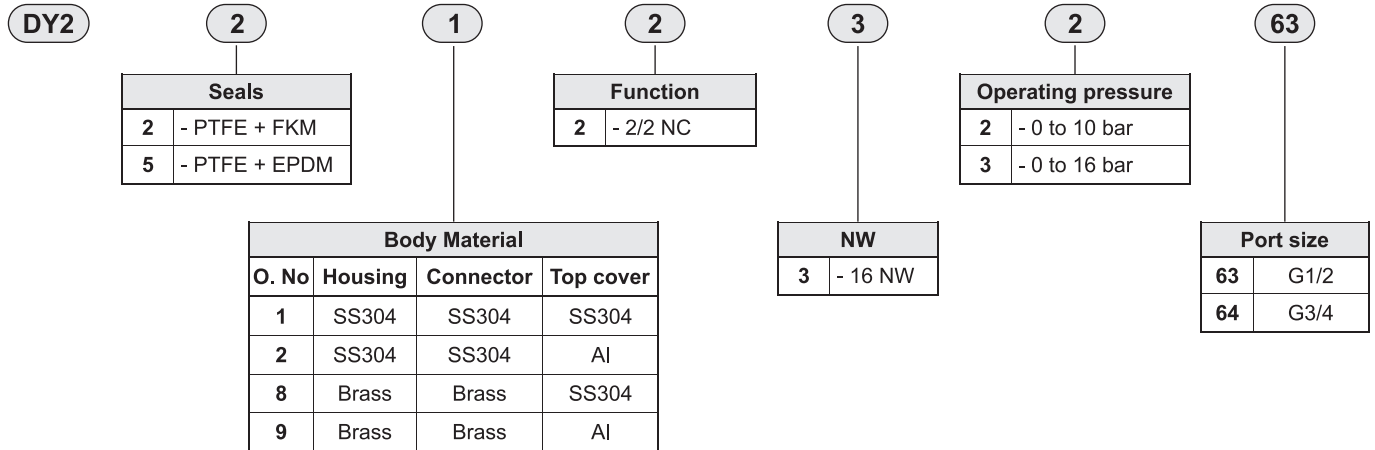
ANGLE SEAT VALVE

Series DY2

Cat No DY2 - 01 - 01 - B

Application: Steam, Hot Water, Oil, Chemical & Gasoline

How to order



Ordering example:

The ordering no. for G1/2, 2/2 NC with PTFE+NBR seals with Housing (SS304) + Connector (SS304) + Top cover (SS304) with 0 to 10 bar working pressure: **DY22123263**

Selection of Seals / Material for working Medium

Angle Seat Valve - Applicable Media Selection Guide									
Body Material	Brass			SS304			SS316L		
	Seals	NBR	FKM	EPDM	NBR	FKM	EPDM	NBR	FKM
Medium Temperature	-10 to 60°C	-10 to 180°C	0 to 150°C	-10 to 60°C	-10 to 180°C	0 to 150°C	-10 to 60°C	-10 to 180°C	0 to 150°C
Water (Up to 60°C)	✓			✓			✓		
Hot Water		✓	✓		✓	✓		✓	✓
Steam		✓	✓		✓	✓		✓	✓
Air	✓	✓		✓	✓		✓	✓	
* Gas	✓	✓	✓	✓	✓	✓	✓	✓	✓
* Oil		✓			✓			✓	
* Chemical		✓	✓		✓	✓		✓	✓
* Gasoline		✓	✓		✓	✓		✓	✓
Food Products							✓	✓	✓

Note: In the main valve side (Medium contact area) PTFE & Silicone used for all the Models.

Warning:

Seals selection may get vary based on the Gas, Oil, Chemical & Gasoline. (For other Medium contact Janatics)

Before selecting the product, check whether it is compatible with the materials of each model by refereeing to the fluid listed in this catalogue. If there is something you do not know, please contact Janatics.